

# Instructions – Parts List



## Husky™ 515 Split Manifold Kits

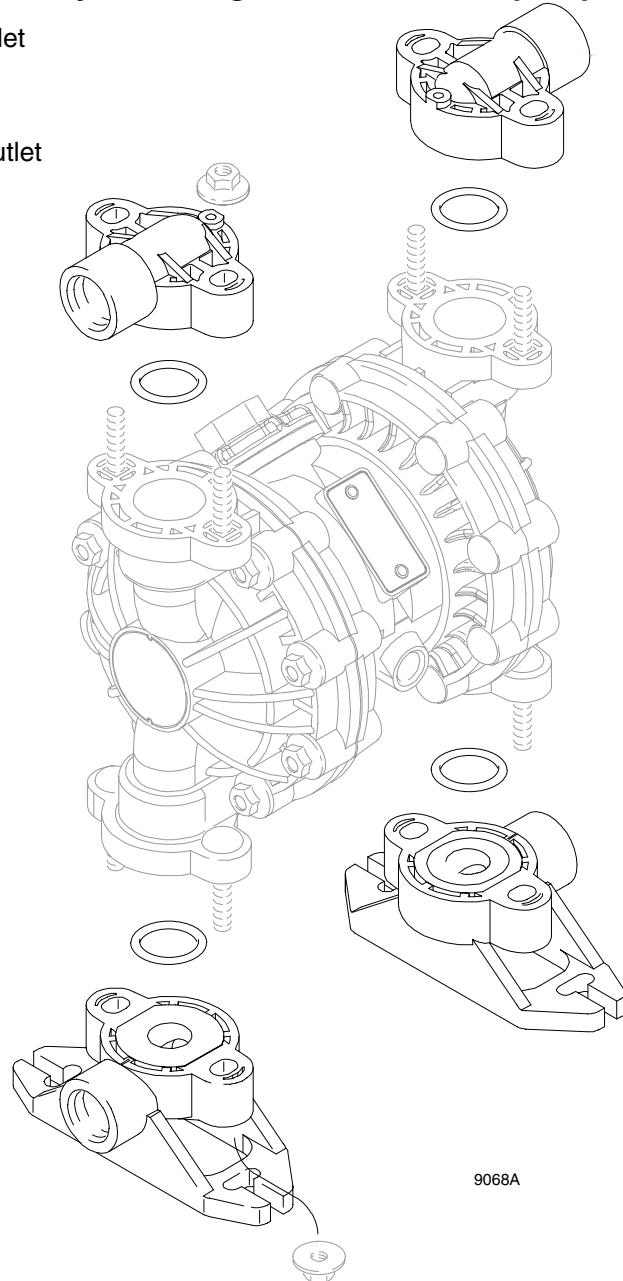
308951B

**For pumping two fluids simultaneously or mixing two fluids in the pump**

- Part No. 241240** polypropylene; split inlet
- Part No. 241241** acetal; split inlet
- Part No. 241242** Kynar®; split inlet
- Part No. 241243** polypropylene; split outlet
- Part No. 241244** acetal; split outlet
- Part No. 241245** Kynar®; split outlet



**Read warnings and instructions.**



**PROVEN QUALITY. LEADING TECHNOLOGY.**



# Installation

## Pressure Relief Procedure

### **WARNING**

#### **PRESSURIZED EQUIPMENT HAZARD**

The equipment stays pressurized until pressure is manually relieved. To reduce the risk of serious injury from pressurized fluid, accidental spray, or splashing fluid, follow this procedure whenever you

- Are instructed to relieve pressure
- Stop pumping
- Check, clean, or service any system equipment
- Install or clean fluid nozzles


1. Shut off the air to the pump.
2. Open the dispensing valve, if used.
3. Open the fluid drain valve to relieve all fluid pressure, and have a container ready to catch the drainage.
4. Acetal Pumps Only: Ground the pump using the 114882 ground screw fastened to the outlet manifold.

### **WARNING**

#### **FIRE AND EXPLOSION HAZARD**

**Never** use a polypropylene or Kynar® pump with non-conductive flammable fluids as specified by your local fire protection code. Consult your fluid supplier to determine the conductivity or resistivity of your fluid.

## Replacing the Manifolds

1.  **Relieve the pressure.** See **Pressure Relief Procedure** at left.
2. Remove the four manifold nuts (called out by Note 1 in the Parts Drawing) and the manifold that you are going to replace with split manifolds.
3. Install the new o-rings and the new split inlet or outlet manifolds, and torque the manifold nuts to 80 to 90 in-lb (9 to 10 N-m).

**NOTE:** Make sure all manifold o-rings are positioned correctly before you fasten the manifold.

**NOTE:** Pumps with duckbill check valves are shipped with the inlet manifold on top and the outlet manifold on the bottom. See **Inlet and Outlet for Pumps with Duckbill Check Valves** in the Service section of instruction manual 308981.

# Parts

## Part No. 241240 polypropylene; split inlet

Part No.	Description	Qty
194346	Split inlet manifold	2
114849	Encapsulated o-ring	2

## Part No. 241241 acetal; split inlet

Part No.	Description	Qty
194347	Split inlet manifold	2
114849	Encapsulated o-ring	2

## Part No. 241242 Kynar®; split inlet

Part No.	Description	Qty
194348	Split inlet manifold	2
114849	Encapsulated o-ring	2

## Part No. 241243 polypropylene; split outlet

Part No.	Description	Qty
194349	Split outlet manifold	2
114849	Encapsulated o-ring	2

## Part No. 241244 acetal; split outlet

Part No.	Description	Qty
194350	Split outlet manifold	2
114849	Encapsulated o-ring	2
114882	Grounding screw	1

## Part No. 241245 Kynar®; split outlet

Part No.	Description	Qty
194351	Split outlet manifold	2
114849	Encapsulated o-ring	2

1 Torque to 80 to 90 in-lb (9 to 10 N-m).

grounding screw

outlet manifold

encapsulated o-ring

encapsulated o-ring

inlet manifold

9068A

# Graco Standard Warranty

Graco warrants all equipment manufactured by Graco and bearing its name to be free from defects in material and workmanship on the date of sale by an authorized Graco distributor to the original purchaser for use. With the exception of any special, extended, or limited warranty published by Graco, Graco will, for a period of twelve months from the date of sale, repair or replace any part of the equipment determined by Graco to be defective. This warranty applies only when the equipment is installed, operated and maintained in accordance with Graco's written recommendations.

This warranty does not cover, and Graco shall not be liable for general wear and tear, or any malfunction, damage or wear caused by faulty installation, misapplication, abrasion, corrosion, inadequate or improper maintenance, negligence, accident, tampering, or substitution of non-Graco component parts. Nor shall Graco be liable for malfunction, damage or wear caused by the incompatibility of Graco equipment with structures, accessories, equipment or materials not supplied by Graco, or the improper design, manufacture, installation, operation or maintenance of structures, accessories, equipment or materials not supplied by Graco.

This warranty is conditioned upon the prepaid return of the equipment claimed to be defective to an authorized Graco distributor for verification of the claimed defect. If the claimed defect is verified, Graco will repair or replace free of charge any defective parts. The equipment will be returned to the original purchaser transportation prepaid. If inspection of the equipment does not disclose any defect in material or workmanship, repairs will be made at a reasonable charge, which charges may include the costs of parts, labor, and transportation.

**THIS WARRANTY IS EXCLUSIVE, AND IS IN LIEU OF ANY OTHER WARRANTIES, EXPRESS OR IMPLIED, INCLUDING BUT NOT LIMITED TO WARRANTY OF MERCHANTABILITY OR WARRANTY OF FITNESS FOR A PARTICULAR PURPOSE.**

Graco's sole obligation and buyer's sole remedy for any breach of warranty shall be as set forth above. The buyer agrees that no other remedy (including, but not limited to, incidental or consequential damages for lost profits, lost sales, injury to person or property, or any other incidental or consequential loss) shall be available. Any action for breach of warranty must be brought within two (2) years of the date of sale.

Graco makes no warranty, and disclaims all implied warranties of merchantability and fitness for a particular purpose in connection with accessories, equipment, materials or components sold but not manufactured by Graco. These items sold, but not manufactured by Graco (such as electric motors, switches, hose, etc.), are subject to the warranty, if any, of their manufacturer. Graco will provide purchaser with reasonable assistance in making any claim for breach of these warranties.

In no event will Graco be liable for indirect, incidental, special or consequential damages resulting from Graco supplying equipment hereunder, or the furnishing, performance, or use of any products or other goods sold hereto, whether due to a breach of contract, breach of warranty, the negligence of Graco, or otherwise.

## **FOR GRACO CANADA CUSTOMERS**

The parties acknowledge that they have required that the present document, as well as all documents, notices and legal proceedings entered into, given or instituted pursuant hereto or relating directly or indirectly hereto, be drawn up in English. Les parties reconnaissent avoir convenu que la rédaction du présente document sera en Anglais, ainsi que tous documents, avis et procédures judiciaires exécutés, donnés ou intentés à la suite de ou en rapport, directement ou indirectement, avec les procédures concernées.

# Graco Phone Information

**TO PLACE AN ORDER**, contact your Graco distributor, or call this number to identify the distributor closest to you:  
**1-800-367-4023 Toll Free**

*Loctite® is a registered trademark of the Loctite Corporation.*

*All written and visual data contained in this document reflect the latest product information available at the time of publication.  
Graco reserves the right to make changes at any time without notice.*

**Sales Offices:** Minneapolis, Detroit

**Foreign Offices:** Belgium, Korea, Hong Kong, Japan

**GRACO INC. P.O. BOX 1441 MINNEAPOLIS, MN 55440-1441**

**www.graco.com**

PRINTED IN USA 308951 05/1999 Revised 05/2003